

**Suite 6631 R - 2 skirts (front and right), drain at right**

Product code : **SU6631R-SFR**

Draft revision : **20150512090000**

External dimensions : **66" x 31" x 22" [167,6 cm x 78,7 cm x 55,9 cm]**

Series : **freestand**

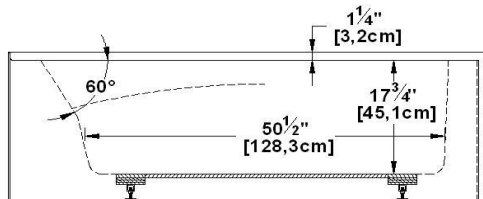
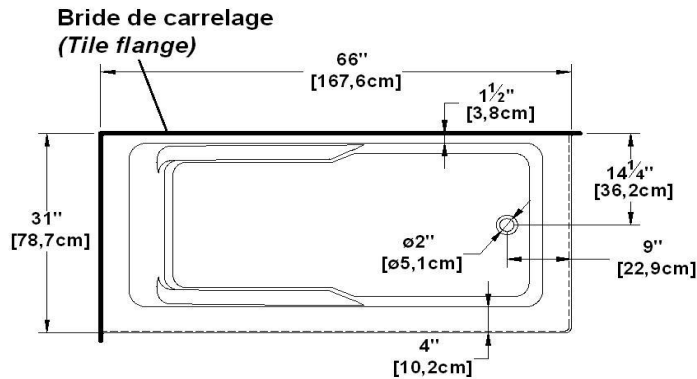
Seats : **1**

Low-back support : **yes**

Arm rests : **yes**

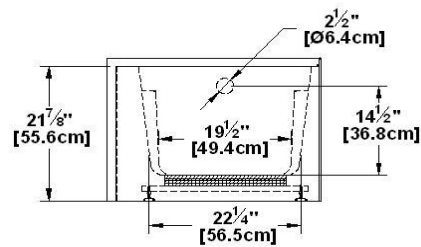
Low-profile available : **no**

**Draft and specs**

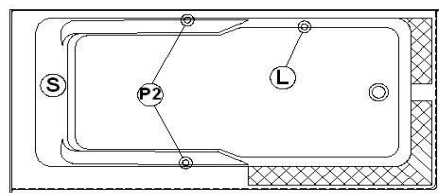


Specifications	
Capacity :	44 IMP Gal. / 57,4 US Gal. / 200,0 liters
AeroMassage™ :	40 Easy Clean™ air jets
Super AeroMassage™ :	AeroMassage™ + 12 Easy Clean™ air jets
Dynamic Turbo™ :	unavailable
Comfort Air™ :	40 Easy Clean™ air jets
Characteristics :	2 integrated skirts

Remarks	
*all measures have a precision of ± 1/4" (0,63cm)	
*internal dimensions taken at 4" (10cm) from bath bottom	
*capacity is measured by filling the soaker to 1-1/2" under the overflow	



**Options and installation**



accessories and decorative lines positions are approximative

Additional(s) note(s) :

Integrated acrylic tile flanges. If system, delivered with keypad not installed. Available in white only. When ordered with AeroMassage™ or Super AeroMassage™, blower must be remote mounted.

Legend			
(S)	Blower	(L)	Chromotherapy light
(P1)	Pump	(P2)	Grab bar
(C)	Keypad	(X)	Recommended faucets drilling location*
Deck cut-out line			-----

Available models	
Model	Availability
Soaker alone	✓
Comfort Air™	✓
AeroMassage™	✓
Super AeroMassage™	✓
Dynamic Turbo™ (not available in the U.S.)	
Dynamic Turbo™ + AeroMassage™	
Dynamic Turbo™ + Super AeroMassage™	

Available recommended options	
Front skirt :	
Recommended drain :	WOCOSBS14 (chrome finish)
Tile flanges :	Included on sides without skirt
Remote control** :	available
**Floating	

\*It is possible to install the faucets elsewhere on the product. The installer must verify that there are no piping or wires before drilling.

**IMPORTANT NOTE : Specifications, dimensions and models are subject to change.**

Visit our website <http://www.oceania-attitude.com> to access up-to-date dimensions and informations. In all cases, information on the website is the most up-to-date. Dimensions may vary slightly. To ensure proper fit, measurements must be taken on the product directly.

Head office

591, avenue des Entreprises  
Thetford Mines, Quebec  
CANADA G6H 4B2

Phone numbers

No-charge : 1-877-332-4224  
Fax : 1-866-460-4334

Internet

Web : <http://www.oceania-attitude.com>  
Email : [info@oceaniabaths.com](mailto:info@oceaniabaths.com)